

VICTORIO®

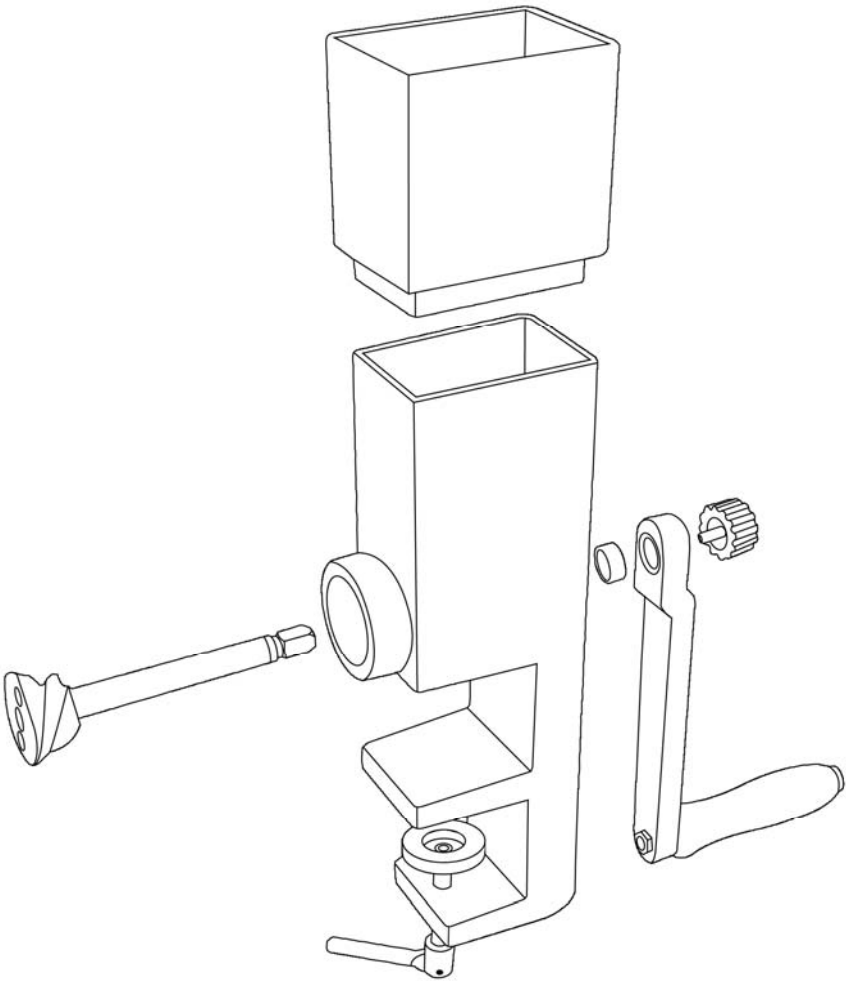
GRAIN MILL

VKPI012



Instruction Manual

YOUR GRAIN MILL SHOULD INCLUDE EVERYTHING ILLUSTRATED BELOW.



Copyright © 2011 Victorio Kitchen Products. All Rights Reserved.

Congratulations!

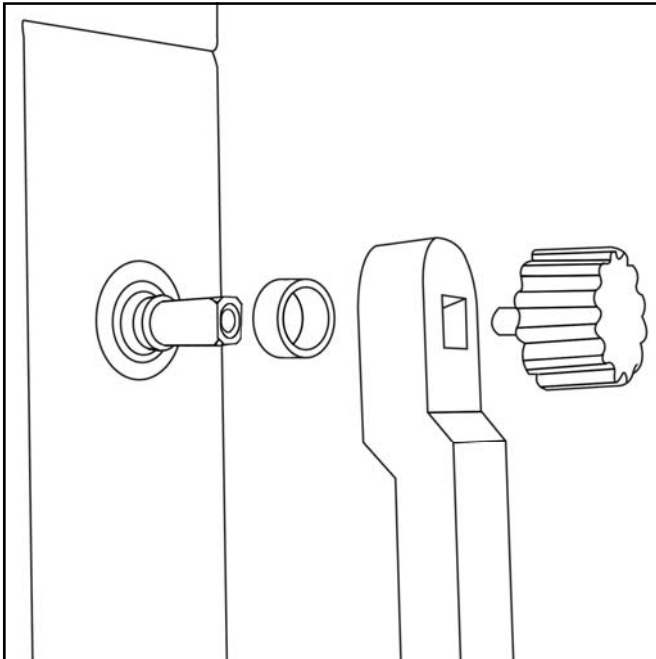
Your purchase of the Victorio® Grain Mill is both a money saving investment and a giant step towards healthier, more flavorful home baking and cooking. You'll enjoy the natural, wholesome goodness and flavor of home ground ingredients prepared fresh and free from all the usual preservatives and additives contained in commercially processed foods. Your Victorio® Grain Mill will become a valuable tool in your kitchen and provide years of trouble free service.

Before Using

Dismantle the grain mill and wipe off all parts with damp cloth, removing any residue from the manufacturing and packaging..

Assembly

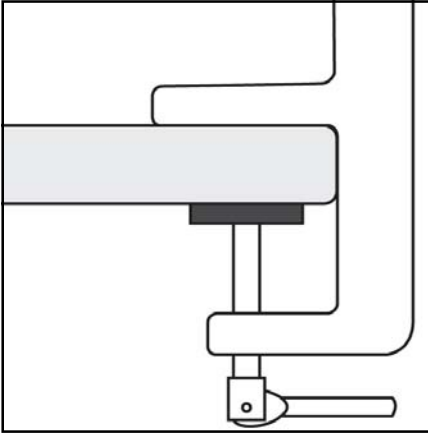
Insert the shaft and attached milling cone through housing. Slip the nylon washer on the end of the shaft, then attach handle and adjustment knob. The diagram below shows the correct order of parts for assembly. The nylon washer is critical for the grain mill to work properly. If the nylon washer or any other part is missing or damaged please contact customer service to obtain replacement parts.



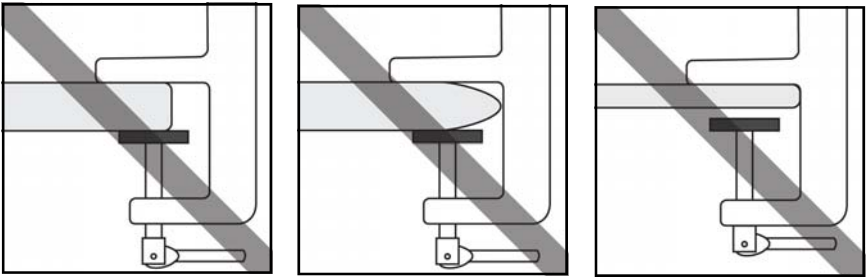
Setup Instructions

Mount firmly on a sturdy table or counter top and secure with clamp screw. See mounting example diagrams below:

Correct Mounting:



Incorrect Mounting:

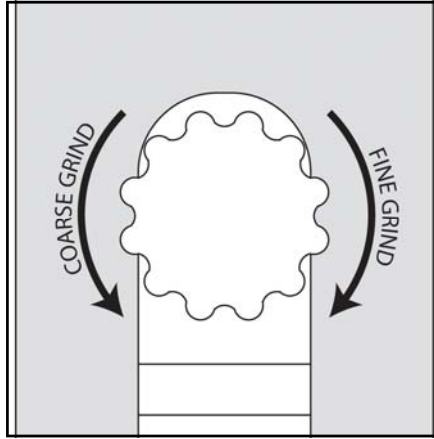


Warning!

1. Never put any foreign objects into grinder. Small rocks or pieces of metal could damage the milling cones.
2. Never use tools of any kind to tighten the adjustment knob. Only tighten the adjustment knob by hand. **Use of tools to tighten the adjustment knob will damage the mill and void the warranty.**
3. Never operate the mill if any parts are missing or damaged. Always make sure the mill is clamped securely to a sturdy surface before using.

Operating Instructions

Select desired texture by turning the adjustment knob clockwise for fine milling and counterclockwise for coarser texture. Never use tools to tighten the adjustment knob as it will damage the mill. For the finest setting possible simply turn adjustment knob by hand clockwise until snug, then add grain and begin milling. If you desire a more coarse texture turn the adjustment knob counterclockwise a turn or two until output is the desired coarseness.



Tips

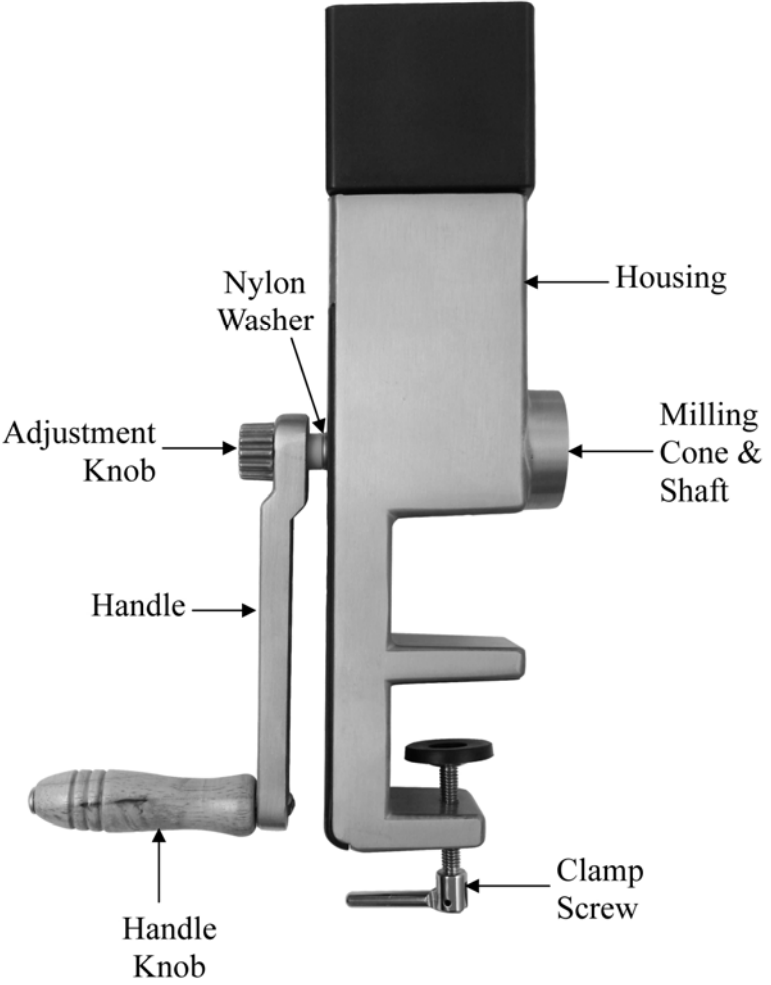
1. To get the flour output of the grain mill to be the very finest you must start with the grain mill totally empty of any grain and the adjustment knob hand tightened fully clockwise until snug before starting.
2. The grain mill can only be adjusted coarse after grinding has begun. To adjust fine you need to empty the mill of any grain before turning the adjustment knob to a more fine setting. We suggest the grain mill always start adjusted to the finest setting.
3. Some larger items such as corn, beans or nuts may need to be chipped into smaller pieces before the grinder will accept them. This can be done easily with a blender or food chopper.
4. While designed primarily for grains like wheat or rice. The grain mill can grind most dry non-oily food or grain without damaging the milling cones. Some things grind better than others. If in doubt try it!
5. The flow into the milling cones is gravity fed. This can be problematic for very light items (rolled oats or rosemary for example). We do not recommend using the grain mill with these types of items.

TROUBLESHOOTING GUIDE

PROBLEM	SOLUTION
Grain mill rocks from side to side when the handle is cranked.	Grain mill is not properly mounted and clamped. See page 2 for mounting instructions.
I am grinding corn, beans or similar sized item and very little or nothing seems to come out.	Larger sized items need to be pre-chopped into smaller pieces before mill will accept them. Use a blender or food chopper to cut into smaller pieces. See grinding tips on page 3.
The grain mill only grinds coarse no matter what I do.	See page 1 for proper assembly instructions. See page 3 for adjustment instructions. If problem persists please contact customer service.
I am trying to grind (X) and it doesn't seem to be working.	See page 3 for grinding tips. If problem persists please contact customer service.

Cleaning

Disassemble and carefully handle small parts so they don't get lost. The grain mill can usually be cleaned with a brush or dry cloth. If thorough cleaning is necessary, hand wash in warm (not hot) water and dry all parts thoroughly. Do not allow parts to soak before washing. Do not clean any part of the grain mill in a dishwasher.



Product Warranty

Victorio Kitchen Products warrants this appliance from defects or failures in the material and workmanship for two (2) years from the date of original purchase.

All warranty claims must be accompanied by a proof of purchase and are only valid if the appliance has been operated and maintained in conformity with the provided instruction manual.

Any failed part of the appliance will be repaired or replaced without charge at Victorio Kitchen Products' discretion. This warranty applies to household use only.

This warranty is null and void, as determined solely by Victorio Kitchen Products if the appliance is damaged through accident, misuse, abuse, negligence or if the appliance is altered in any way.

THIS WARRANTY IS IN LIEU OF IMPLIED WARRANTIES, INCLUDING WARRANTIES OF MERCHANTABILITY, FITNESS FOR PARTICULAR PURPOSE, PERFORMANCE, OR OTHERWISE, WHICH ARE HEREBY EXCLUDED. IN NO EVENT SHALL VICTORIO KITCHEN PRODUCTS BE LIABLE FOR ANY DAMAGES, WHETHER DIRECT, INDIRECT, INCIDENTAL, FORESEEABLE, CONSEQUENTIAL OR SPECIAL ARISING OUT OF OR IN CONNECTION WITH THIS APPLIANCE.

If you think this appliance has failed or requires service within its warranty period please contact:

Victorio Kitchen Products Customer Service Department

www.VictorioKitchenProducts.com

Call 866-257-4741

or

E-mail Service@VictorioKitchenProducts.com

Return shipping fees are non-refundable. A receipt proving original purchase date will be required for all warranty claims. Handwritten receipts are not accepted. Victorio Kitchen Products is not responsible for returns lost in transit.