

VICTORIO®

ELECTRIC

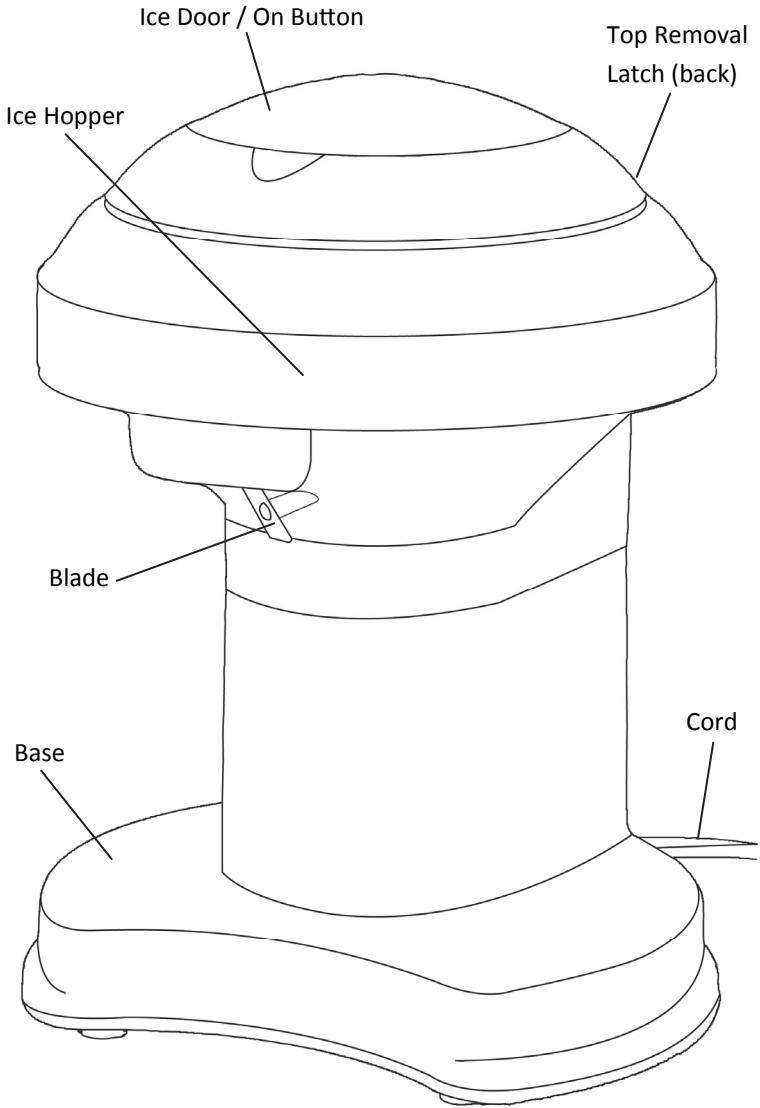
ICE SHAVER

VKP1100



Instruction Manual

YOUR ICE SHAVER SHOULD INCLUDE:



Copyright © 2011 Victorio Kitchen Products. All Rights Reserved.

Warning

- To prevent personal injury or property damage, read and follow all instructions and warnings.
- Do not use appliance for other than intended use.
- Do not operate if the appliance is not working properly or if it has been damaged in any manner. For service information see warranty page.
- Do not leave unit unattended while plugged into an electrical outlet.
- For household use only.
- Never immerse the motor base in water.

Operating Precautions

- Blade is sharp. Use extreme caution during assembly, while operating, disassembly and cleaning.
- Close supervision is required when ice shaver is used by or near children.
- Never place fingers or other utensils into the feed or discharge areas.
- Always check ice hopper for presence of foreign objects before using
- Use only ice cubes made from clean frozen water.

Welcome to the refreshing world of shave ice

You'll love your new Victorio® Electric Ice Shaver. Inspired by rare tropical snows and the local shave ice stands in Hawaii, the Victorio® Electric Ice Shaver is designed to "shave" ice cubes into mounds of soft, fluffy snow. It's a great way to entertain family and friends. The soft texture of shave ice actually absorbs the flavoring and won't let it run to the bottom of the serving container as happens with crushed ice. No hard chips or chunks either, just smooth, cool refreshment. Combinations of fruits and flavorings are added to create delicious tropical drinks and frosty treats. Also makes attractive ice beds for appetizers, shrimp cocktail, salads, fruits, etc. Your imagination is the only limit when using the Victorio® Electric Ice Shaver.

Using Your Ice Shaver.

CAUTION: Your Victorio® Ice Shaver has a sharp stainless steel blade that can cut and cause injury. Keep fingers clear from blades and avoid contact at all times when using and cleaning.

Before using for the first time and following periods of prolonged storage, remove the top cover by pressing the latch on the back and lifting the top cover forward. Wash in warm, soapy water, rinse and dry. Do not put in dishwasher.

Use a damp cloth to wipe down the inside and outside of the ice hopper and motor base. **USE EXTREME CAUTION BLADE IS VERY SHARP.**

When assembling, dismantling or cleaning, always ensure that the appliance is not connected to the power supply.

To make fluffy shave ice style snow the quality of the ice is **very** important. Ice should be firm and directly from the freezer with no liquid water on it. Wet ice will produce a wet slush output, not snow. For best results keep ice in freezer until immediately before shaving.

1. Lift open Ice Door and place ice cubes into ice hopper. **TIP:** Shaves ice faster when ice hopper is full
2. Connect power cord to outlet.
3. Hold a cup or place other container in front of ice shaver where ice will come out.
4. Close Ice Door and press down in center of Ice Door.
5. Ice will begin shaving into container, stop pressing down when the desired amount is reached.
6. Add your favorite Victorio® Premium Syrup, soft drink, or fresh fruit to the shaved ice and enjoy.
7. Unplug from the power supply immediately after use.
8. After shaving, there will always be a small amount of ice remaining in the ice hopper. Remove lid by pressing down the white button marked "PUSH" on the back of the Ice Shaver while lifting lid up and toward the front. The ice should be discarded and the Ice Shaver dried with a soft cloth.

COOL & EASY TREATS

Snow Cones

Shave ice directly into Snow Cone Cups. Mound tops with additional “Snow” if desired. Dispense your favorite Victorio® Syrup directly on top of the shaved ice. Combine different syrups to create your own unique flavors. Because the shaved ice is so snowy fine, it absorbs the flavored syrup instead of it running to the bottom. This gives you a truly intense flavor sensation, all the way through!

Slushes

Place shaved ice into serving cups or glasses. Add just enough Victorio® Syrup to totally absorb into the shaved ice. Try one of the following variations for a delicious, cool and refreshing treat. Garnish with sliced or diced fruit.

Rainbow Slush

A colorful and fun treat. Place a layer of shaved ice in the bottom of a tall, parfait style glass; add flavoring. Add a middle layer of ice; add a different flavoring. Add a top layer of ice and another flavoring. Garnish with fruit or paper umbrellas. A great party treat!

Ice Cream Slush

Place a scoop of vanilla ice cream in the bottom and shave ice on top of it. Add your favorite flavor of Victorio® syrup on top for a creamy refreshing treat.

Soft Drink Slush

Use your favorite variety such as cola, root beer, and fruit flavors. Add a twist of lemon or lime for an added “burst” of flavor.

Fruit Juice Slush

Natural flavorings that are both tasty and good for you. Try apple, grape, orange, grapefruit, and cranberry or any combination for a special treat.

OTHER SHAVED ICE USES

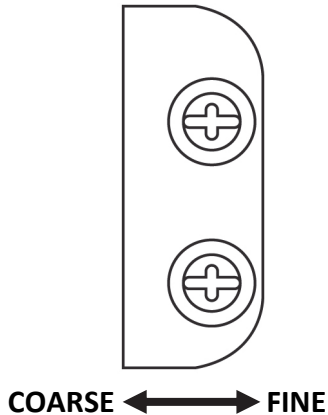
Shaved ice is a great base when used in other blended drinks and smoothies. Combine with fruit, yogurt, or juices for great tasting and healthy treats. Fresh shaved ice makes a great ice bed for seafood appetizers, such as shrimp cocktail.

Adjusting Blade:

The blade on your Victorio Electric ice shaver can be adjusted to produce a more fine or coarse output (if desired). A small adjustment of the blade in can make a big difference in how fine or coarse it will shave the ice.

1. Before adjusting blade make sure unit is unplugged from the power outlet.
2. Loosen the screws attaching the blade by 1/4 turn
3. Adjustments should be made by moving the blade 1 millimeter per adjustment.
4. Move the blade away from the shaving chamber for a finer shave or towards the shaving chamber for a more coarse shave.
5. Retighten screws
6. Test unit after adjustment. It may take a few tries to get the desired result.

SHAVING BLADE



TROUBLESHOOTING GUIDE

PROBLEM	SOLUTION
Output is wet slush not fluffy snow	Ice has melted before shaving. Ice must be firm and direct from the freezer to shave fluffy snow style ice.
Ice shaves very slow. Little or no ice shavings coming out.	Ice cubes may be too large and are not feeding into the blade. To resolve let ice melt for a few minutes and try again. Blade may need adjustment. See page 4 for instructions. Very cold firm ice (from deep freeze) will take longer to shave.
Unit won't turn on	Make sure cord is plugged into a known good power source. Make sure ice in unit is not stopping the lid switch from working. Ice should not touch lid when pressing lid down to turn unit on.
All other issues	Contact customer service. Contact information is located on back page.

Product Warranty

Victorio Kitchen Products warrants this appliance from defects or failures in the material and workmanship for one (1) year from the date of original purchase.

All warranty claims must be accompanied by a proof of purchase and are only valid if the appliance has been operated and maintained in conformity with the provided instruction manual.

Any failed part of the appliance will be repaired or replaced without charge at Victorio Kitchen Products' discretion. This warranty applies to household use only.

This warranty is null and void, as determined solely by Victorio Kitchen Products if the appliance is damaged through accident, misuse, abuse, negligence or if the appliance is altered in any way.

THIS WARRANTY IS IN LIEU OF IMPLIED WARRANTIES, INCLUDING WARRANTIES OF MERCHANTABILITY, FITNESS FOR PARTICULAR PURPOSE, PERFORMANCE, OR OTHERWISE, WHICH ARE HEREBY EXCLUDED. IN NO EVENT SHALL VICTORIO KITCHEN PRODUCTS BE LIABLE FOR ANY DAMAGES, WHETHER DIRECT, INDIRECT, INCIDENTAL, FORESEEABLE, CONSEQUENTIAL OR SPECIAL ARISING OUT OF OR IN CONNECTION WITH THIS APPLIANCE.

If you think this appliance has failed or requires service within its warranty period please contact:

Victorio Kitchen Products Customer Service Department

www.VictorioKitchenProducts.com

Call 866-257-4741

or

E-mail Service@VictorioKitchenProducts.com

Return shipping fees are non-refundable. A receipt proving original purchase date will be required for all warranty claims. Handwritten receipts are not accepted. Victorio Kitchen Products is not responsible for returns lost in transit.